

# The electronic product catalogue as strategic sales concept of a small enterprise

# Speaker

introduction KSM-PREISSER

interactive distribution with eCATALOGsolutions

intention of the collaboration with CADENAS



Diethardt Preier

Owner of KSM-PREISSER

Since 1987 in the measurement instrumentation industry

# KSM-PREISSER

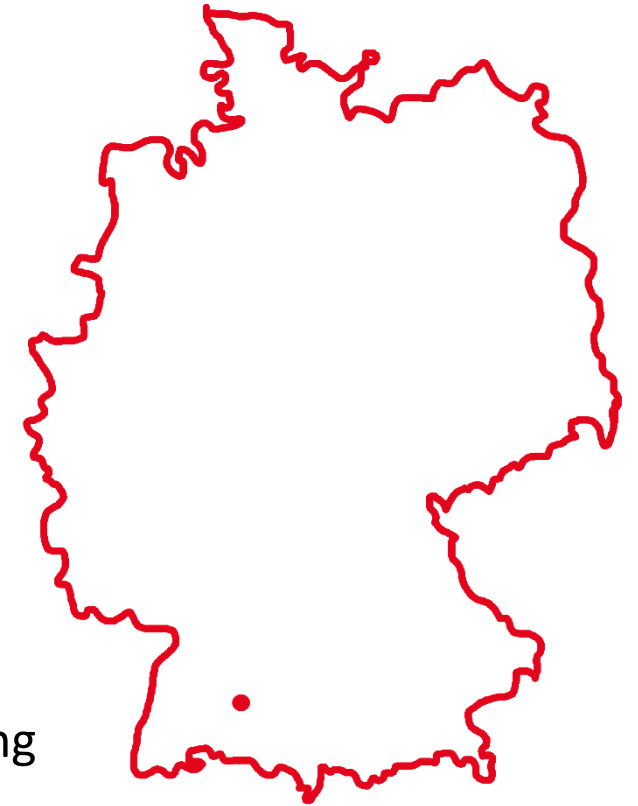
introduction KSM-PREISSER

interactive distribution with eCATALOGsolutions

intention of the collaboration with CADENAS



founded:	January 1 <sup>st</sup> 2013
location:	Gammertingen, Baden-Württemberg
employees:	3 persons
industry:	automotive supplier, consumer products and manufacturing systems engineering
distribution:	worldwide

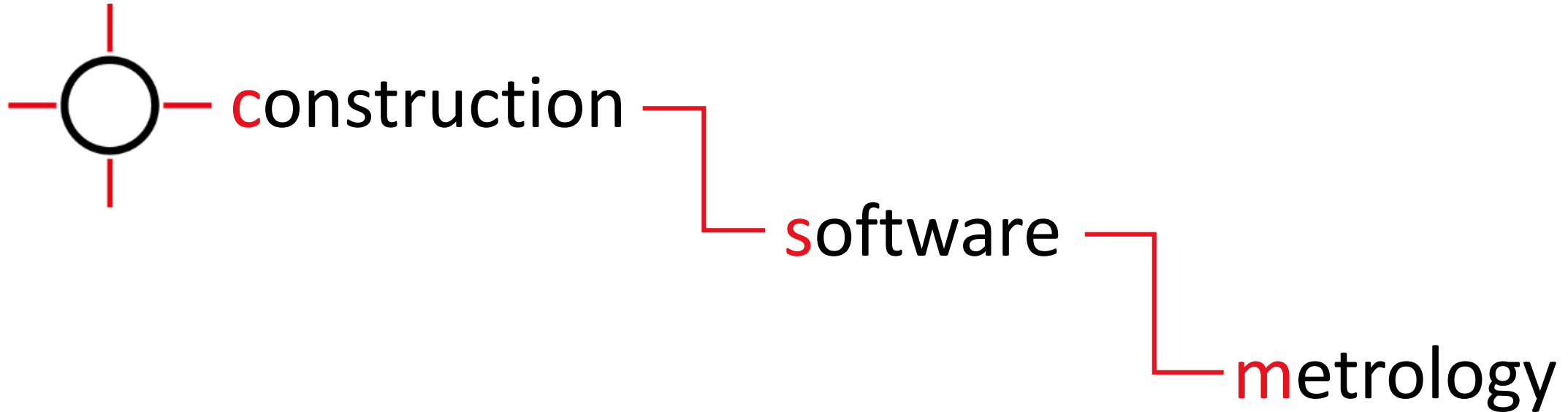


# KSM stands for...

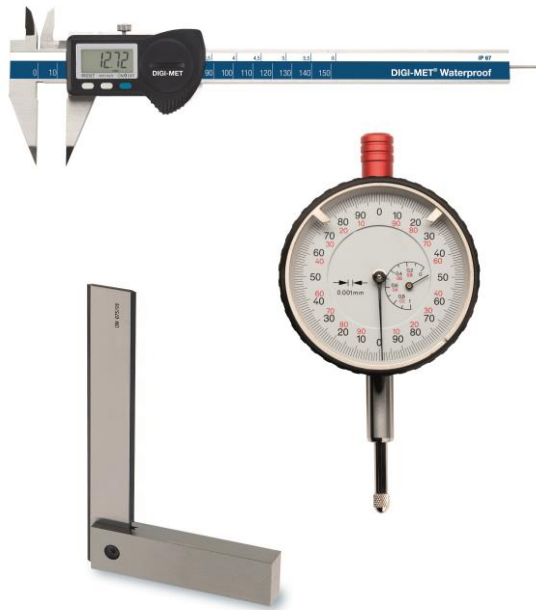
introduction KSM-PREISSER

interactive distribution with eCATALOGsolutions

intention of the collaboration with CADENAS



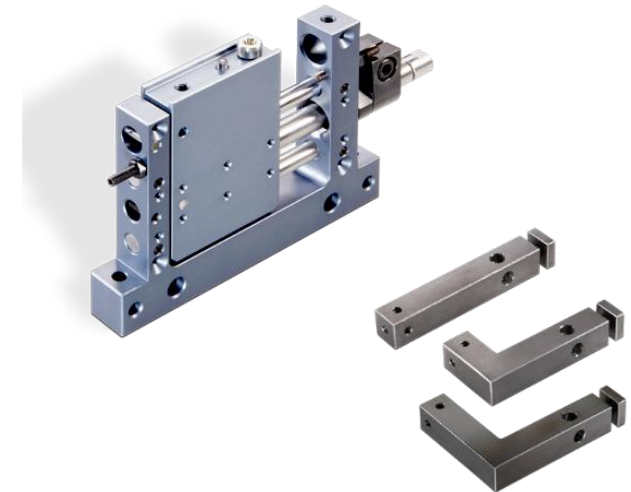
## manual metrology



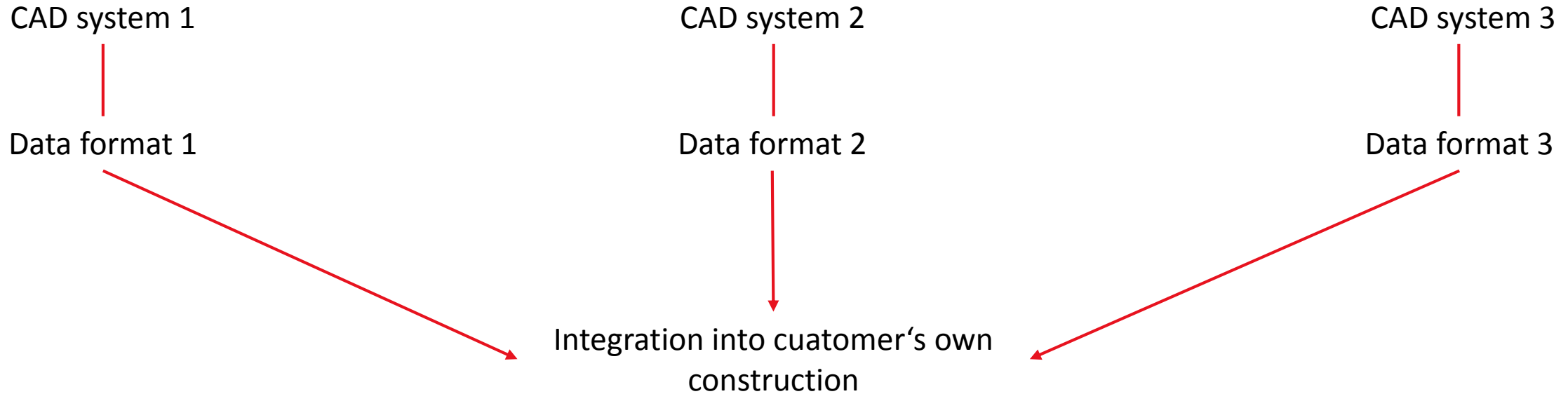
## table top metrology devices



## standard measurement elements



# Integration of CAD-Models



Extremely time consuming because of search and problems with the different formats of the CAD-Models

# Integration of CAD-Models 2.0

CAD system: KSM-Preisser

1 standard format

Integration into customer's own  
construction

No longer time-consuming search.  
But: still time and effort to convert the format if the standard format  
does not fit

# Cooperation with...

introduction KSM-PREISSER

interactive distribution with eCATALOGsolutions

intention of the collaboration with CADENAS





# Integration of CAD-Models 3.0

introduction KSM-PREISSER

interactive distribution with eCATALOGsolutions

intention of the collaboration with CADENAS

CAD system: KSM-Preisser



Embedded link on  
product side

10. Handmesstechnik | 20. Tischmessgeräte | 30. Messelemente

Suche...  Startseite » 20. Tischmessgeräte » 0125.01 Auflageprisma APH 215-R  keine Produkte

10. Handmesstechnik  
20. Tischmessgeräte  
30. Messelemente

**Kontakt**

- Ticketcenter
- Lageplan
- Ansprechspartner

**Mehr über...**

- Impressum
- Inhaltsverzeichnis
- Widerrufsrecht
- AGB
- Liefer- und Versandkosten
- Privatsphäre und Datenschutz

**Sonstiges**

- Downloads
- Zum CAD-Portal
- Zur Homepage
- Paycode

**Sicher Bezahlen**

**SOFORT ÜBERWEISUNG**

**0125.01 Auflageprisma APH 215-R**

Art.Nr.: 2001250101

Lieferzeit:  innerhalb 1 Woche

Sperrgut:  [Sperrgut?](#)

Prüfzertifikat:  [Prüfzertifikat?](#)

**Dokumente:**


- 

ARTIKELBESCHREIBUNG


# Embedded Link

Geben Sie Ihre E-Mail Adresse ein und wählen Sie ein CAD-Format um kostenfrei CAD-Daten zu erhalten.







E-Mail Adresse:

Format Auswahl: <Formatauswahl> 

[Download](#) [PDF Datenblatt](#) [E-Mail senden](#)

 KSM Auflageprismen HM\_APH-215 Artikel Nr. 20 0125 0101

Verfügbare Produkte: 1

Name	Bezeichnung		Wert
KB	Kurz-Bezeichnung		HM_APH-215
AN	Artikel Nr.		20 0125 0101
ZN	Zeichnungs Nr.		11.00001.00.000.0
E	Einheit		St.
G	Gewicht		19 g
DL	KSM-DOKU WEblink		Produktinfo

[Modus 3D Ansicht](#)

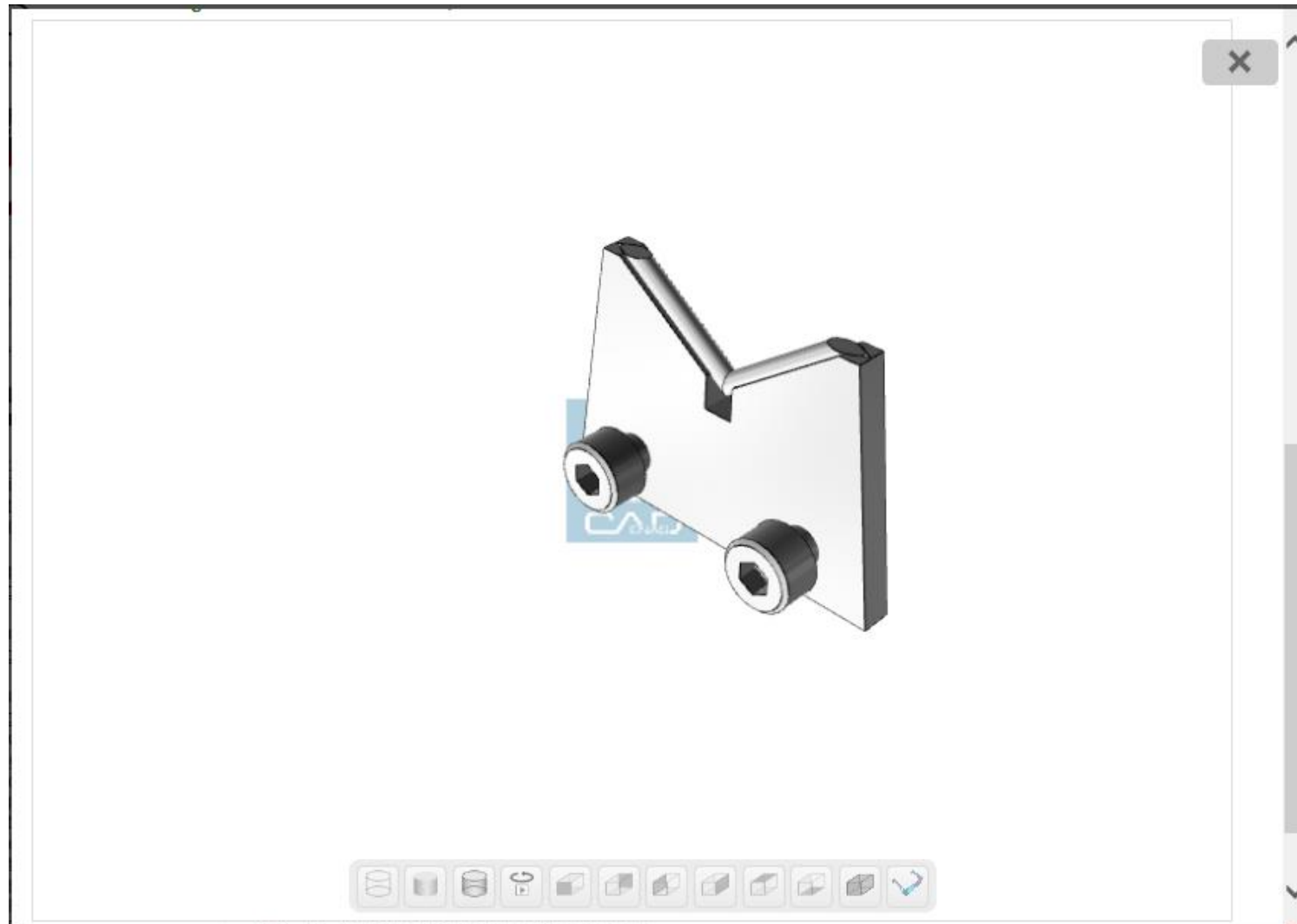
Dies ist eine vorgenerierte Standardansicht, die sich von Ihrer Auswahl unterscheiden kann.

# Embedded Link

introduction KSM-PREISSER

interactive distribution with eCATALOGsolutions

intention of the collaboration with CADENAS

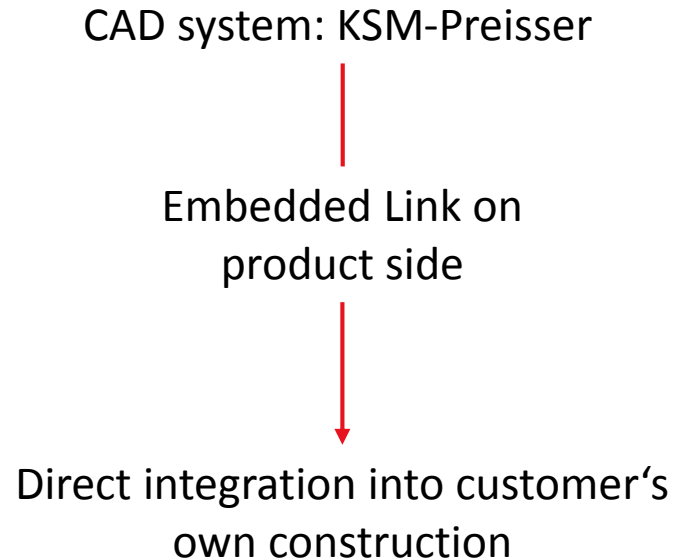


# Integration von CAD-Modellen 3.0

introduction KSM-PREISSER

interactive distribution with eCATALOGsolutions

intention of the collaboration with CADENAS

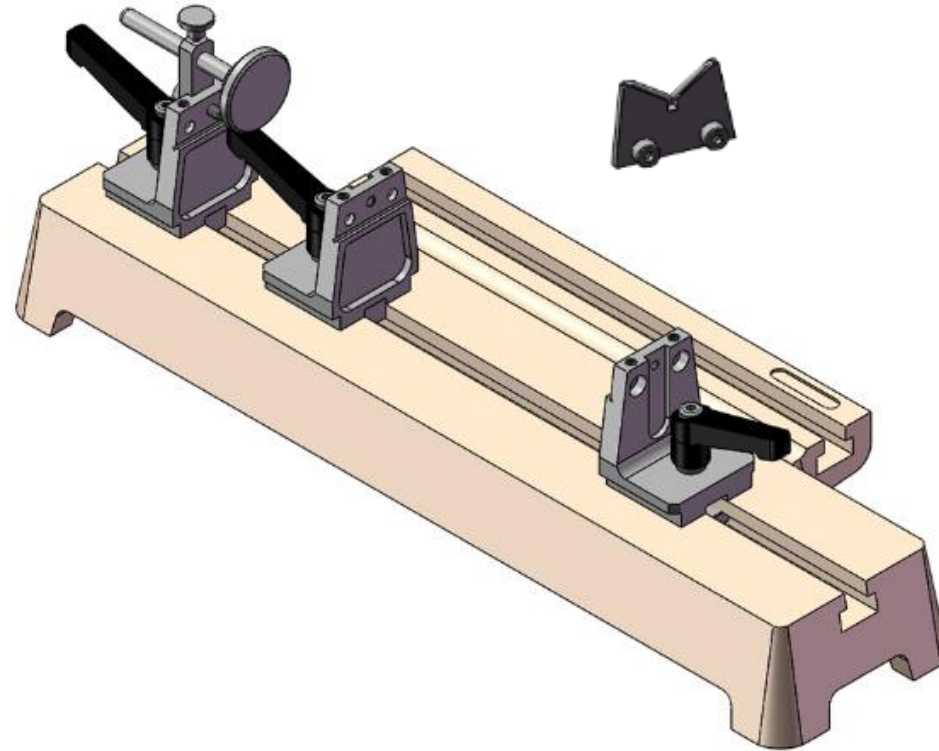


# Embedded Link

introduction KSM-PREISSER

interactive distribution with eCATALOGsolutions

intention of the collaboration with CADENAS



No time-consuming search and directly fitting format for your CAD-system.

# The interactive Workbook

introduction KSM-PREISSER

interactive distribution with eCATALOGsolutions

intention of the collaboration with CADENAS

**KSM PREISSER**  
konstruktion software messtechnik

**HANDMESSTECHNIK**



A digital depth gauge with a black plastic frame and stainless steel rule. The digital display shows '0.00'. The frame has 'REF. Imprimisch', 'ON/OFF', and 'HOLD' buttons. The rule has 'ID-NR. 07-202023' and 'Made in Germany' printed on it.

Wir messen uns an Ihren Aufgaben.

**KSM PREISSER**  
konstruktion software messtechnik

**TISCHMESSGERÄTE**

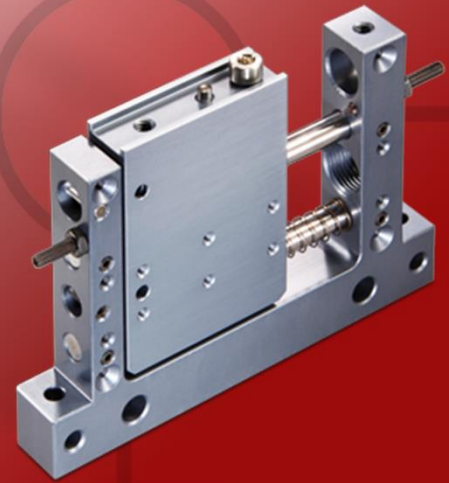


Two precision-machined metal angle blocks, one larger than the other, both featuring a V-shaped notch and a threaded hole for clamping.

Wir messen uns an Ihren Aufgaben.

**KSM PREISSER**  
konstruktion software messtechnik

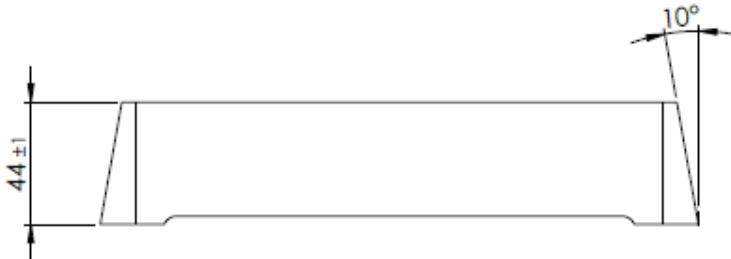
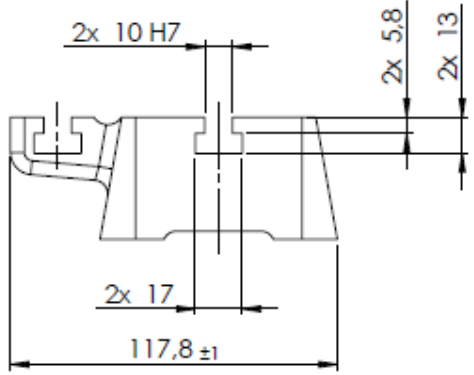
**MESSELEMENTE**



A complex precision measuring fixture made of metal, featuring a central threaded rod and various adjustment points and holes.

Wir messen uns an Ihren Aufgaben.

# The interactive Workbook

	1	2	3	4	5	6	7	8
A							Seite 3, Auflage 10/14.1 DE CAD-Direkt: <a href="#">klick auf Memo</a> <a href="#">im eKatalog anzeigen</a>	
B								
C							M 1:5	
							) Telefax +49 (0)7574/94990-01	

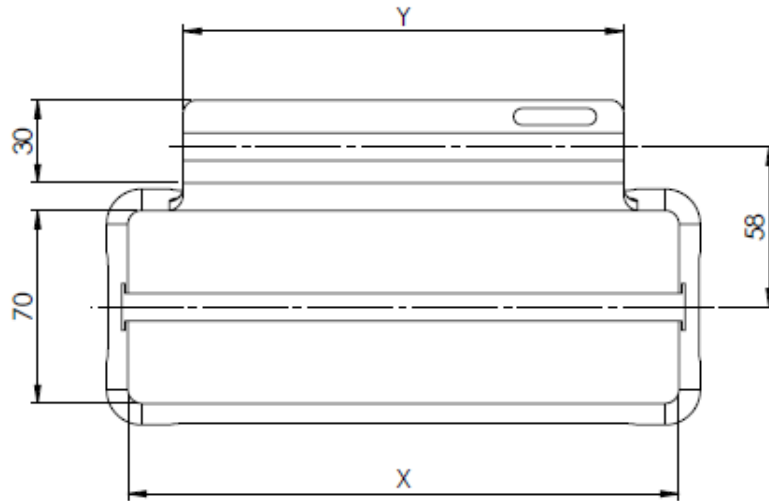


# The interactive Workbook

introduction KSM-PREISSER

interactive distribution with eCATALOGsolutions

intention of the collaboration with CADENAS



Artikelnummer / Ref. - No.			
Ausführung / versions			
Memo	"x"	"y"	Standard
AT 200	200	160	200110 1020
AT 350	350	215	200110 1035
AT 500	500	365	200110 1050

<b>KSM-PREISSER</b> Konstruktion Software Messtechnik		Benennung:	
Maßeinheit: mm Werkstückkanten DIN ISO 13715		<b>Aufspanntische</b> AT 200, AT 350, AT 500	
Tolerierung ISO 286-1 Allgemeintoleranz DIN ISO 2768 - mk		Artikel:                      Memo: Zeichnungsnummer:                      DIN A3	
Oberfläche DIN ISO 1302		Blatt: 1 von: 1	
Maßstab: 1:2		Status: 20.10.2014 - M. Preißer	

# The interactive Workbook

introduction KSM-PREISSER

interactive distribution with eCATALOGsolutions

intention of the collaboration with CADENAS

Allows interactive sales since...

... it provides a quick overview of our solutions

... it is available both electronically and as hard copy

... it supports our customers' procurement and design departments

**One stop shop with quick and easy integration**

# High automation and information density!

# Thanks for your attention!

---

introduction KSM-PREISSER

interactive distribution with eCATALOGsolutions

intention of the collaboration with CADENAS

## Your requirements are our scale.

# Copyright and disclaimer

This document and any information included are the sole property of KSM-PREISSER. The availability of this document or the disclosure of its content do not grant any rights for use or distribution of our intellectual property. Duplication or distribution is only permitted with prior permission of KSM-PREISSER. This document and the information provided may only be used for its intended use.

The statements made in this document do not represent a binding commercial offer. They are provided basing on the intended purpose and in good faith.